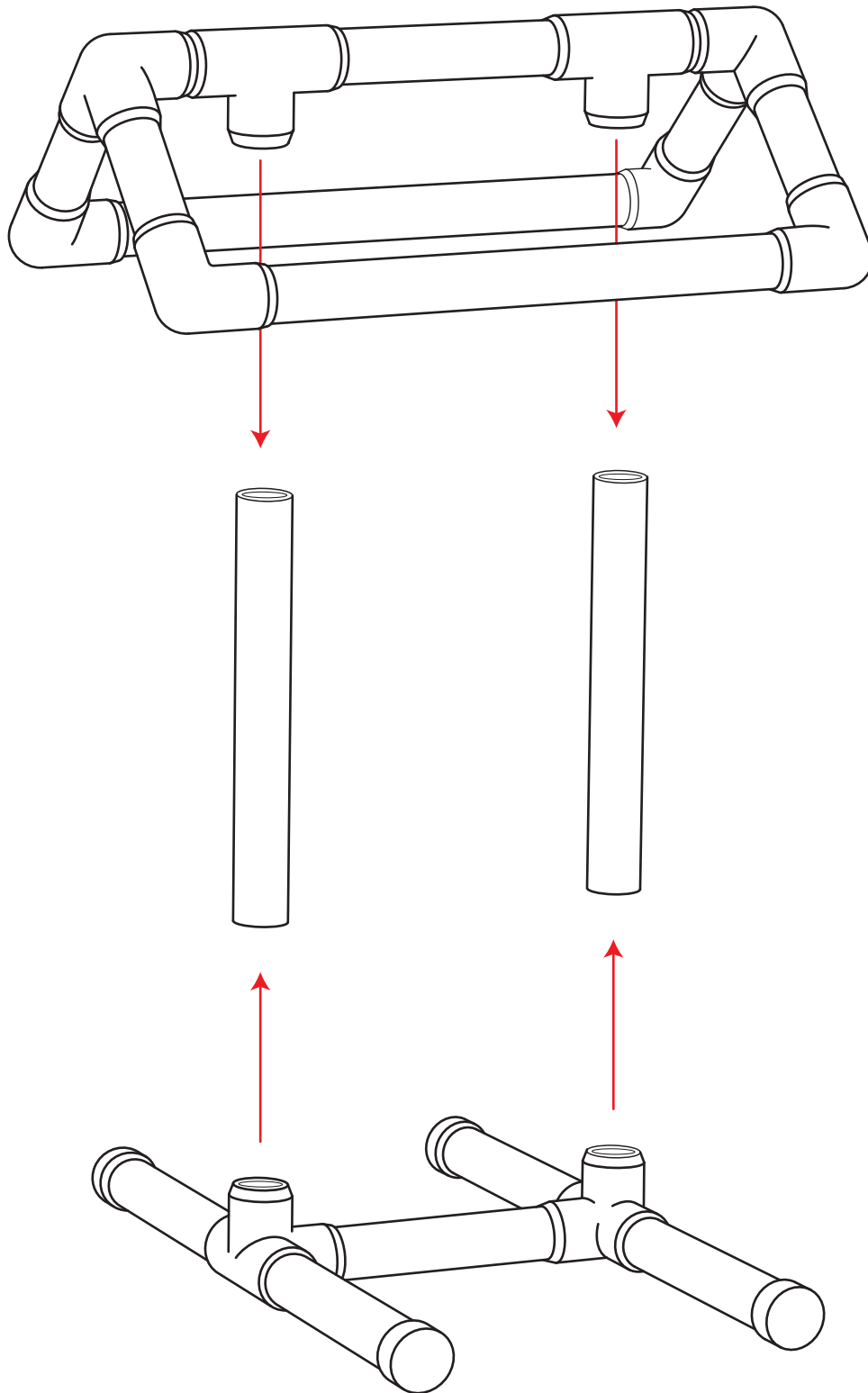


# Assembly Instructions

---



# Ways To Secure Your Saddlestand In A Car

---



It is very important to make sure that you secure the saddle stand during transit. If you do not it may slide around or tip over. These are some of the best ways to secure the saddle stand.

You will have to try out which one works best for you depending on the type of vehicle you have.

When using a bungee cord or seat belt make sure it is on tight and that there is very little to no give in the bungee cord or seat belt. Also make sure you put a pad or blanket on your saddle if you use bungee cords to secure it so you don't scratch the leather.

If you have any questions please contact Leslie Gross at 281-773-3963 or [Leslie@SaddleStandsForVehicles.com](mailto:Leslie@SaddleStandsForVehicles.com).



Securing saddle stand in back of car with a bungee cord. Make sure you attach it to the D-rings.

# Ways To Secure Your Saddlestand In A Car

---



Securing the saddle stand with a seat belt in the back seat of a car on the passenger side.



Make sure the front passenger seat is pushed back as far as it can go to help secure the saddle stand & to keep the saddle from sliding forward during transit. If your seat does not go back enough, use a bungee cord to secure your saddle. Notice the seat belt is on tightly.

**I think this is the best way to secure and transport you saddle and stand.**



Using a tack bag to block the stand in so it doesn't slide or tip during transit. The bag is a large Lands End canvas tote and will all the stuff in it, it weighs about 12 pounds. It is best to have the saddle stand facing like it is looking out the back window (as in the picture), because the base legs stabilize it through turns. If you have the saddle stand facing the side windows it is more likely to tip if you take a sharp turn or has to suddenly stop.

# Ways To Secure Your Saddlestand In A Truck

---



Securing saddle stand in the cab of a truck. It is seat belted in, and the passenger front seat is pushed back to help prevent the saddle from sliding off during transit.

**This is the best way to transport a saddle in a truck.**



To secure saddle stand in the back of a truck or trailer, make sure you bungee cord it in with at least 2 bungee cords. This will prevent the stand from sliding and tipping. Make sure the bungee cords are placed **high** up on the legs of the stand. This will make it more stable, and try to have the stand up against the back of the truck passenger compartment.



In the back of a truck or trailer, it is very important to cover your saddle with the saddle pad & bungee cord it to the stand during transit. This will protect the leather and make sure your saddle doesn't go flying out if you hit a pothole or have to stop suddenly.

**I recommend securing the saddle stand in the truck cab if at all possible.**